

## Features

- > electronic ballast for one-lamp operation
- > to be used with four-wire lamps
- > Preheat start
- > status forwarding
  - potential free relay contacts for lamp on / lamp fault
  - relay activated: lamp on
- > relay contacts:
  - potential free, load: 50~500mA at 24~277V AC
  - 50~500mA at 5~30V DC

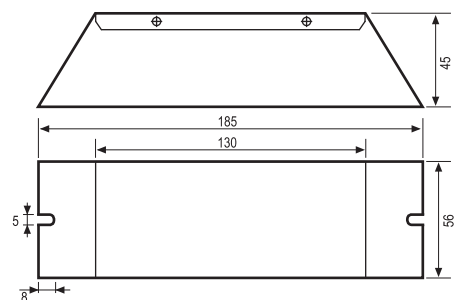


# EPS100W/425mA

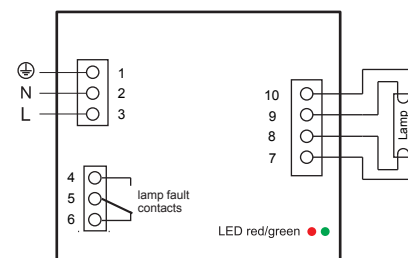
## Technical Data

Lamp power:	35~100W
Lamp type:	GPH436~893T5L, G36T5L TUV36T5,
Lamp current:	0.425A
-----	
Mains voltage:	99~264VAC 50/60Hz
Efficiency:	>90%
Operating frequency:	25~60KHz
Power factor:	>0.9 typ.
Ambient temperature:	0~40°C
Tc-temperature:	Max. 70°C
Dimensions:	185X56X45mm

Dimensions



Wiring Diagram



## Mounting Restrictions

- Wire gauge: 0.5-1.5mm<sup>2</sup>, strip length: 8mm
- Disconnect input power before installing or servicing
- Ballast case must be grounded
- Don't short any two wires of the input and output wires
- For indoor use only

Part Number: 810100008